



ESD Chair

AEC-3528

User's Manual



Features

Comfortable chairs AKTAKOM are designed for the laboratory, office, as well as home use.

The design includes a «gas-lift» mechanism, which allows adjustment for the optimum seat and backrest height.

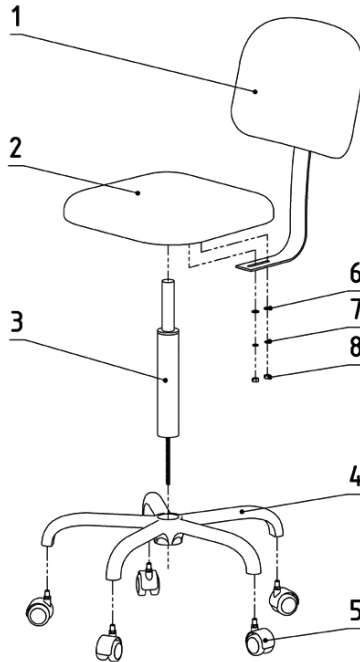
The external design of the gas cartridge for the «gas-lift» mechanism, and the backrest bracket is made of durable chrome plated metal. Aluminum five-star base.

The seat and back of the chair are covered with artificial leather (vinyl).

Resistance $<1 \times 10^9$ Ohm.

Specifications

Model	Seat height adjustment	Seat Size	Back Rest Size	Material	ESD
AEC-3528	44...58 cm (17.3...22.8")	44×41 cm (17.3×16.1")	41×30 cm (16.1×11.8")	Vinyl	Yes



List of Components

1. Chair backrest with holder	1 PC.
2. Chair seat with adjusting knob	1 PC.
3. Gas cartridge with a chain	1 PC.
4. Five-star base	1 PC.
5. Wheel	5 pieces.
6. Washer	2 pcs.
7. Washer-Grover	2 pcs.
8. Nut	2 pcs.